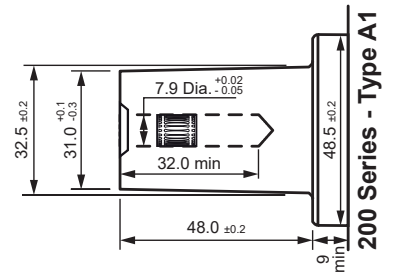


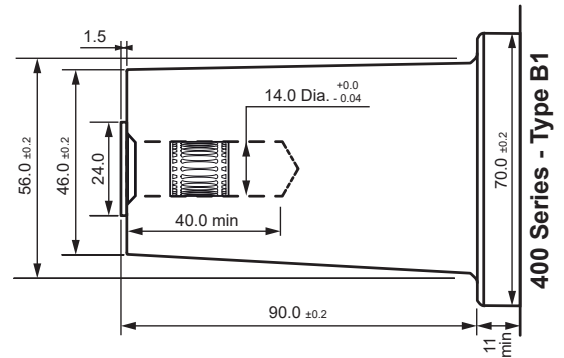
**200 Series - Interface Type: A1** DB250, PPS24/250

Connection Type	7.9mm Plug-in Pin Contact
Max Voltage Rating	24kV
Max Current Rating	250A
Complies with	EN50180 & EN50181
Connectors	DE250 / DE251 / DS250 / DS251



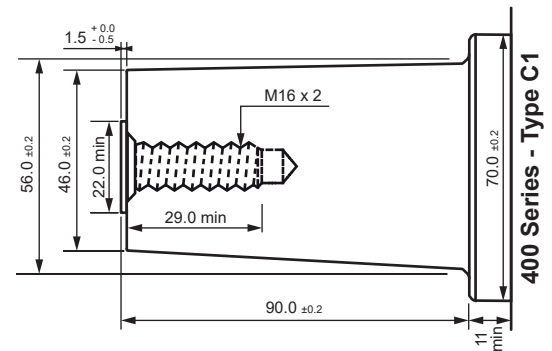
**400 Series - Interface Type: B1** DB400, PPS36/400

Connection Type	14mm Plug-in Pin Contact
Max Voltage Rating	36kV
Max Current Rating	400A
Complies with	EN50180 & EN50181
Connectors	DE400 / DE436 / DT400P / DT436P



**400 Series - Interface Type: C1** DB630, PPS36/630

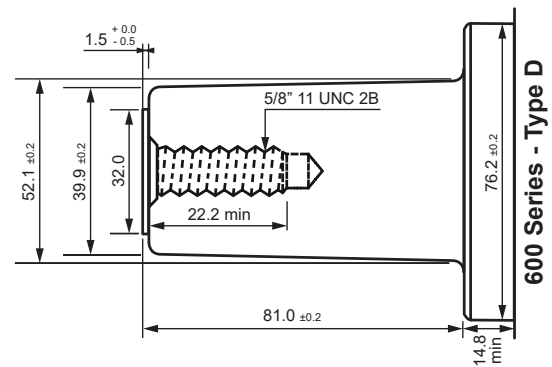
Connection Type	M16 (Bolted)
Max Voltage Rating	36kV
Max Current Rating	630A
Complies with	EN50180 & EN50181
Connectors	DTB624&636 / DTS624&636 / DTB1242 & DTS1242



Interface type C2 (1250A) also available upon request

**600 Series - Interface Type: D** 15BT-OB

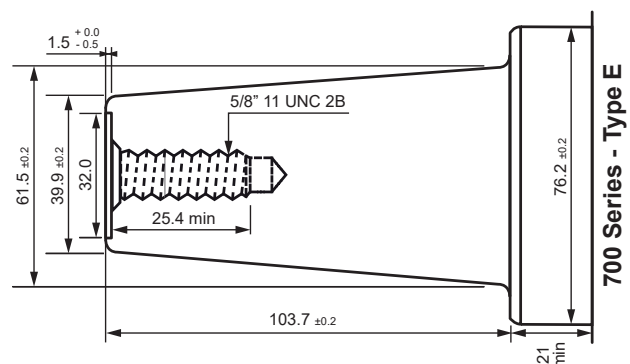
Connection Type	5/8 (Bolted), M16 also available
Max Voltage Rating	24kV
Max Current Rating	800A (Al) / 1250A (Cu)
Complies with	HD629.1, IEC60525-4, & ANSI/IEEE 386 & 404
Connectors	DT608 / DT612 / 15BT Bol-T (DT625)



Interface to D1 (800A) & D2 (1250A), EN50180 / EN50181

**700 Series - Interface Type: E** 35BT-OB

Connection Type	5/8 (Bolted)
Max Voltage Rating	36kV
Max Current Rating	800A (Al) / 1250A (Cu)
Complies with	HD629.1, IEC60525-4, & ANSI/IEEE 386 & 404
Connectors	35BT Bol-T (DT635 / DT638)



Interface to E1 (800A) & E2 (1250A), EN50180 / EN50181

Interface types F1, F2, & F3 also available upon request